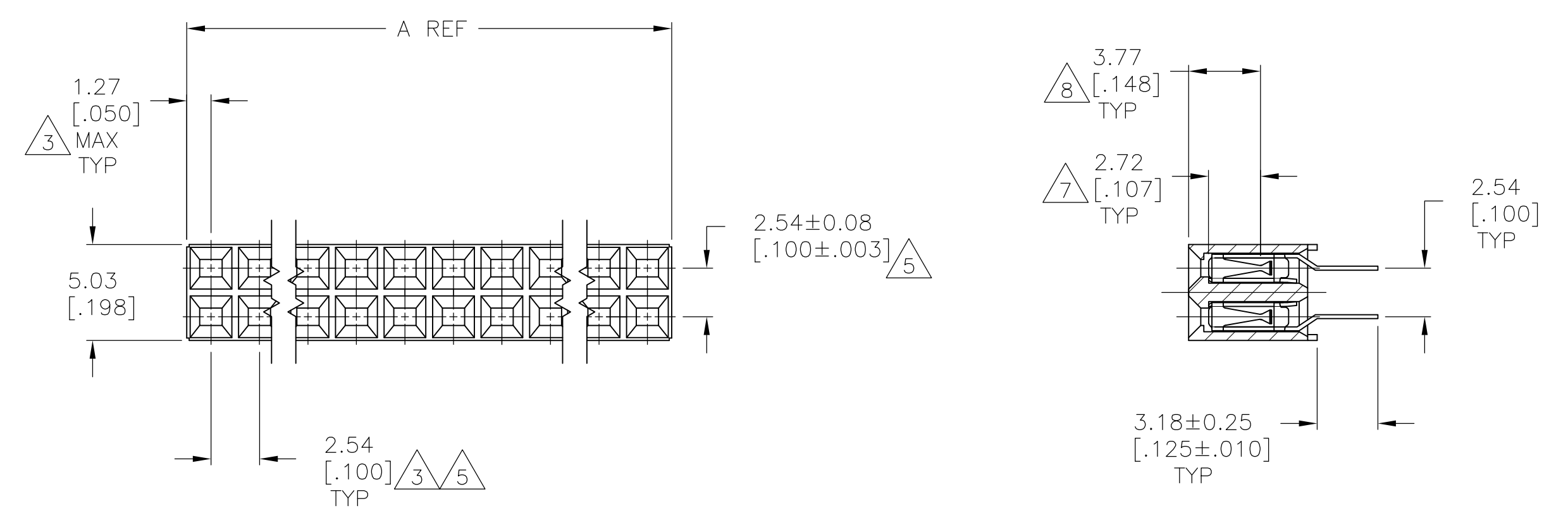
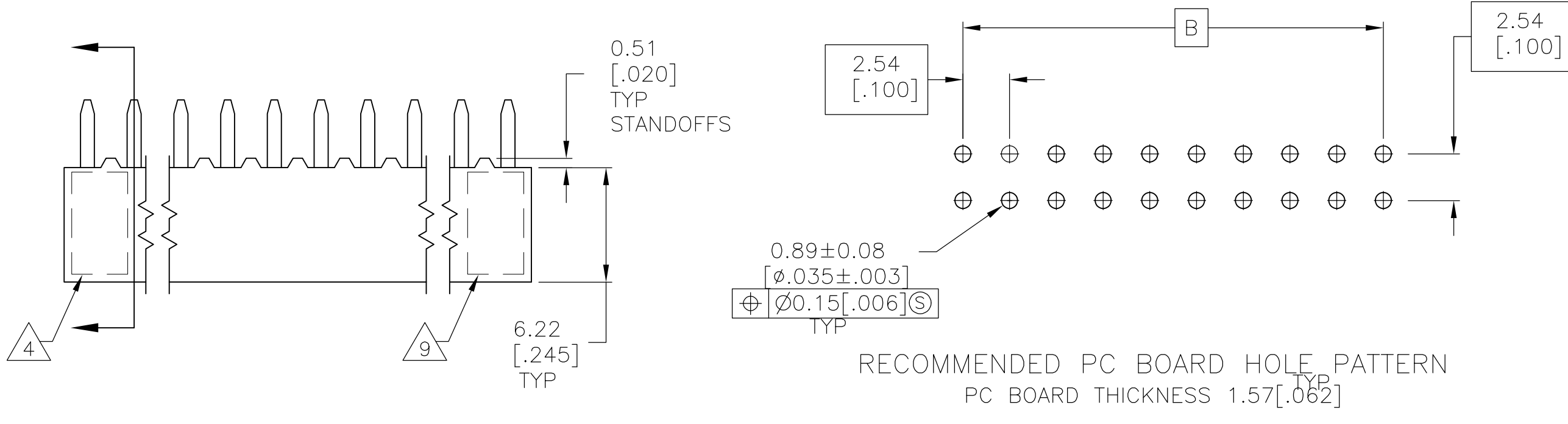


12	1	96.52	[3.800]	99.06	[3.900]	78	9-535598-0
12	1	93.98	[3.700]	96.52	[3.800]	76	8-535598-9
12	1	91.44	[3.600]	93.98	[3.700]	74	8-535598-8
12	1	88.90	[3.500]	91.44	[3.600]	72	8-535598-7
12	1	86.36	[3.400]	88.90	[3.500]	70	8-535598-6
12	1	83.82	[3.300]	86.36	[3.400]	68	8-535598-5
12	1	81.28	[3.200]	83.82	[3.300]	66	8-535598-4
12	1	78.74	[3.100]	81.28	[3.200]	64	8-535598-3
12	1	76.20	[3.000]	78.74	[3.100]	62	8-535598-2
12	1	71.12	[2.800]	73.66	[2.900]	58	8-535598-1
12	1	68.58	[2.700]	71.12	[2.800]	56	8-535598-0
12	1	66.04	[2.600]	68.58	[2.700]	54	7-535598-9
12	1	63.50	[2.500]	66.04	[2.600]	52	7-535598-8
12	1	58.42	[2.300]	60.96	[2.400]	48	7-535598-7
12	1	55.88	[2.200]	58.42	[2.300]	46	7-535598-6
12	1	53.34	[2.100]	55.88	[2.200]	44	7-535598-5
12	1	50.80	[2.000]	53.34	[2.100]	42	7-535598-4
12	1	99.06	[3.900]	101.60	[4.000]	80	7-535598-3
12	1	73.66	[2.900]	76.20	[3.000]	60	7-535598-2
12	1	60.96	[2.400]	63.50	[2.500]	50	7-535598-1
12	1	48.26	[1.900]	50.80	[2.000]	40	7-535598-0
12	1	45.72	[1.800]	48.26	[1.900]	38	6-535598-9
12	1	43.18	[1.700]	45.72	[1.800]	36	6-535598-8
12	1	40.64	[1.600]	43.18	[1.700]	34	6-535598-7
12	1	38.10	[1.500]	40.64	[1.600]	32	6-535598-6
12	1	35.56	[1.400]	38.10	[1.500]	30	6-535598-5
12	1	33.02	[1.300]	35.56	[1.400]	28	6-535598-4
12	1	30.48	[1.200]	33.02	[1.300]	26	6-535598-3
12	1	27.94	[1.100]	30.48	[1.200]	24	6-535598-2
12	1	25.40	[1.000]	27.94	[1.100]	22	6-535598-1
12	1	22.86	[.900]	25.40	[1.000]	20	6-535598-0
12	1	20.32	[.800]	22.86	[.900]	18	5-535598-9
12	1	17.78	[.700]	20.32	[.800]	16	5-535598-8
12	1	12.70	[.500]	15.24	[.600]	12	5-535598-7
12	1	10.16	[.400]	12.70	[.500]	10	5-535598-6
12	1	7.62	[.300]	10.16	[.400]	8	5-535598-5
12	1	5.08	[.200]	7.62	[.300]	6	5-535598-4
12	1	2.54	[.100]	5.08	[.200]	4	5-535598-3
12	1	-	-	2.54	[.100]	2	5-535598-2
12	1	15.24	[.600]	17.78	[.700]	14	5-535598-1
2	2	96.52	[3.800]	99.06	[3.900]	78	4-535598-0
2	2	93.98	[3.700]	96.52	[3.800]	76	3-535598-9
2	2	91.44	[3.600]	93.98	[3.700]	74	3-535598-8
2	2	88.90	[3.500]	91.44	[3.600]	72	3-535598-7
2	2	86.36	[3.400]	88.90	[3.500]	70	3-535598-6
2	2	83.82	[3.300]	86.36	[3.400]	68	3-535598-5
2	2	81.28	[3.200]	83.82	[3.300]	66	3-535598-4
2	2	78.74	[3.100]	81.28	[3.200]	64	3-535598-3
2	2	76.20	[3.000]	78.74	[3.100]	62	3-535598-2
2	2	71.12	[2.800]	73.66	[2.900]	58	3-535598-1
2	2	68.58	[2.700]	71.12	[2.800]	56	3-535598-0
2	2	66.04	[2.600]	68.58	[2.700]	54	2-535598-9
2	2	63.50	[2.500]	66.04	[2.600]	52	2-535598-8
2	2	58.42	[2.300]	60.96	[2.400]	48	2-535598-7
2	2	55.88	[2.200]	58.42	[2.300]	46	2-535598-6
2	2	53.34	[2.100]	55.88	[2.200]	44	2-535598-5
2	2	50.80	[2.000]	53.34	[2.100]	42	2-535598-4
2	2	99.06	[3.900]	101.60	[4.000]	80	2-535598-3
2	2	73.66	[2.900]	76.20	[3.000]	60	2-535598-2
2	2	60.96	[2.400]	63.50	[2.500]	50	2-535598-1
2	2	48.26	[1.900]	50.80	[2.000]	40	2-535598-0
2	2	45.72	[1.800]	48.26	[1.900]	38	1-535598-9
2	2	43.18	[1.700]	45.72	[1.800]	36	1-535598-8
2	2	40.64	[1.600]	43.18	[1.700]	34	1-535598-7
2	2	38.10	[1.500]	40.64	[1.600]	32	1-535598-6
2	2	35.56	[1.400]	38.10	[1.500]	30	1-535598-5
2	2	33.02	[1.300]	35.56	[1.400]	28	1-535598-4
2	2	30.48	[1.200]	33.02	[1.300]	26	1-535598-3
2	2	27.94	[1.100]	30.48	[1.200]	24	1-535598-2
2	2	25.40	[1.000]	27.94	[1.100]	22	1-535598-1
2	2	22.86	[.900]	25.40	[1.000]	20	1-535598-0
2	2	20.32	[.800]	22.86	[.900]	18	535598-9
2	2	17.78	[.700]	20.32	[.800]	16	535598-8
2	2	12.70	[.500]	15.24	[.600]	12	535598-7
2	2	10.16	[.400]	12.70	[.500]	10	535598-6
2	2	7.62	[.300]	10.16	[.400]	8	535598-5
2	2	5.08	[.200]	7.62	[.300]	6	535598-4
2	2	2.54	[.100]	5.08	[.200]	4	535598-3
2	2	-	-	2.54	[.100]	2	535598-2
2	2	15.24	[.600]	17.78	[.700]	14	535598-1



- 1 HOUSING: FLAME RETARDANT, GLASS FILLED, POLYESTER, COLOR: BLACK. CONTACT: PHOSPHOR BRONZE
- 2 CONTACT: DUPLEX PLATED 0.25µm[.000010] MIN GOLD IN CONTACT AREA, 3.81-7.62µm[.000150-.000300] BRIGHT TIN-LEAD ON LEADS, ALL OVER 1.27µm[.000050] NICKEL
- 3 THESE DIMENSIONS PERTAIN TO CAVITY CENTERLINES ONLY - NOT TO CONTACT LOCATIONS
- 4 PART NUMBER AND DATE CODE ARE MARKED IN APPROXIMATE LOCATION SHOWN.
- 5 TOLERANCE IS NON-CUMULATIVE.
- 6 2 POSITION DATE CODE IS MARKED OPPOSITE SIDE OF TE LOGO.
- 7 POINT-OF-MEASUREMENT DIMENSION FOR PLATING THICKNESS (INSIDE CONTACT BEAM).
- 8 POINT-OF-CONTACT DIMENSION.
- 9 TE TRADEMARK AND CSA LOGO ARE MOLDED INTO HOUSING, THIS LOCATION.
- 10 NO PART NUMBER MARKING REQUIRED FOR THIS PART.
- 11 CONTACT: DUPLEX PLATED 0.25µm[.000010] MIN GOLD IN CONTACT AREA, 3.81-7.62µm[.000150-.000300] MATTE TIN ON LEADS, ALL OVER 1.27µm[.000050] MIN NICKEL
- 12 ROHS 2002/95/EC COMPLIANT.

THIS DRAWING IS A CONTROLLED DOCUMENT

DRN: M. BINNER 06NOV2002
 CHK: J. JOLSON 06NOV02
 APD: J. JOLSON 06NOV02

Tyco Electronics Corporation
 Harrisburg, Pa 17105-3608

RECEPTACLE ASSEMBLY, MOD IV,
 DOUBLE ROW, DUAL ENTRY, .100X.100CL,
 VERTICAL MOUNT, AMPMODU

PRODUCT SPEC: 108-25022
 APPLICATION SPEC: 114-25018

SIZE: A1
 CAGE CODE: 00779
 DRAWING NO: 535598

RESTRICTED TO: -

CUSTOMER DRAWING

SCALE: 1:1 SHEET: 1 OF 1 REV: P1